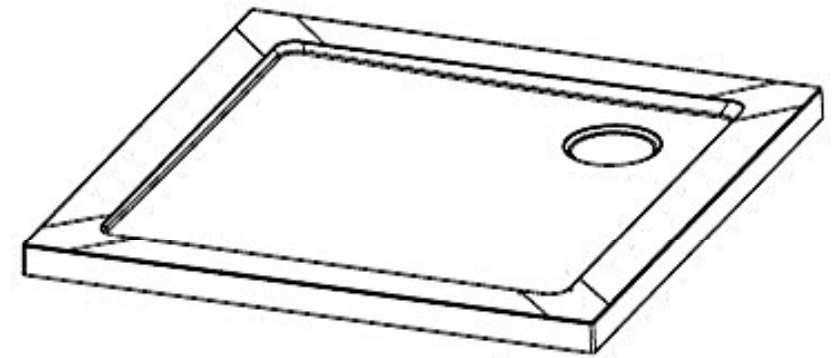
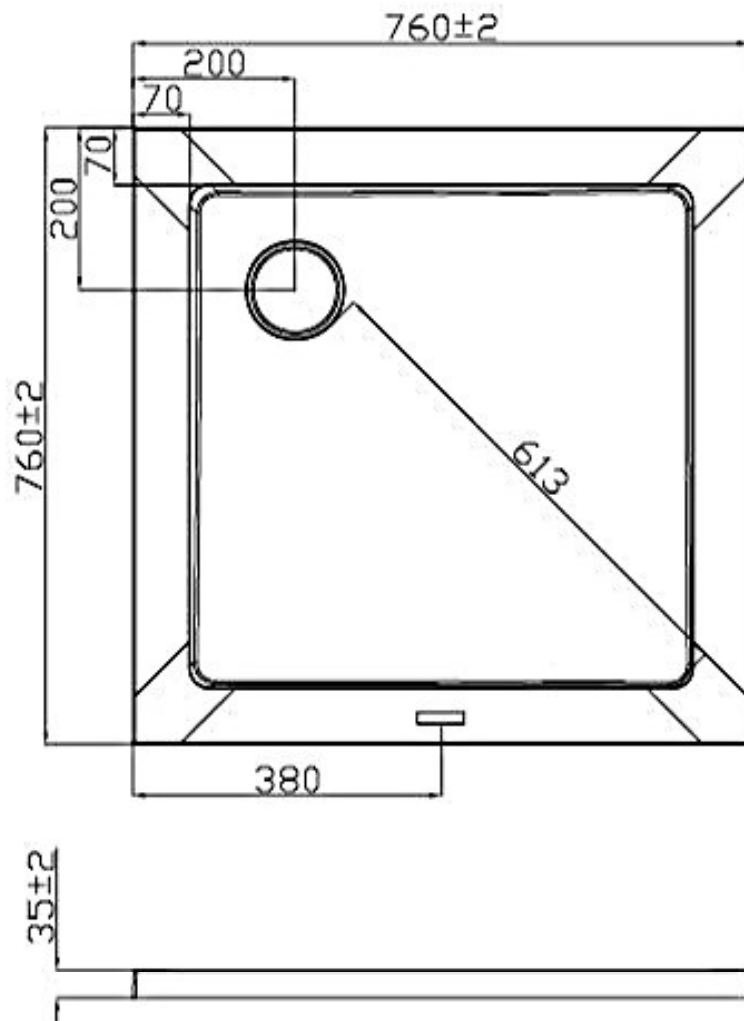
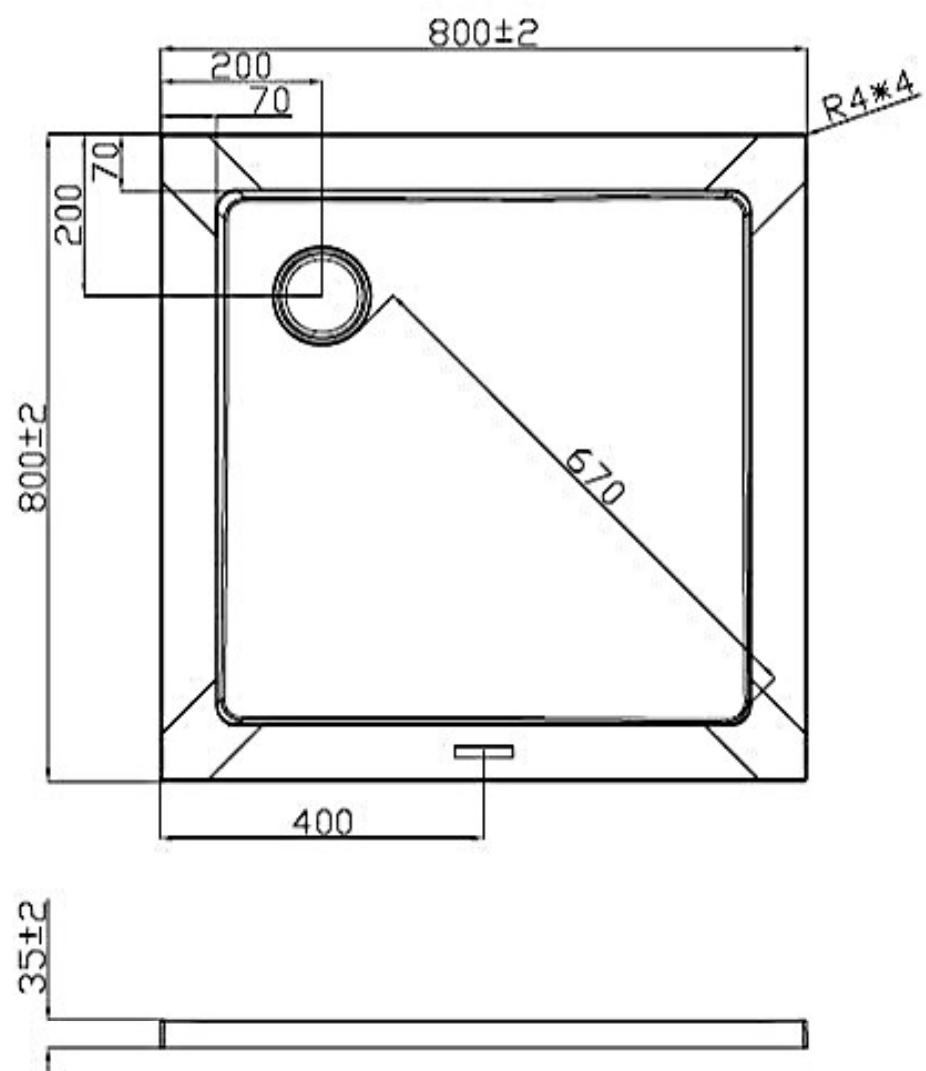
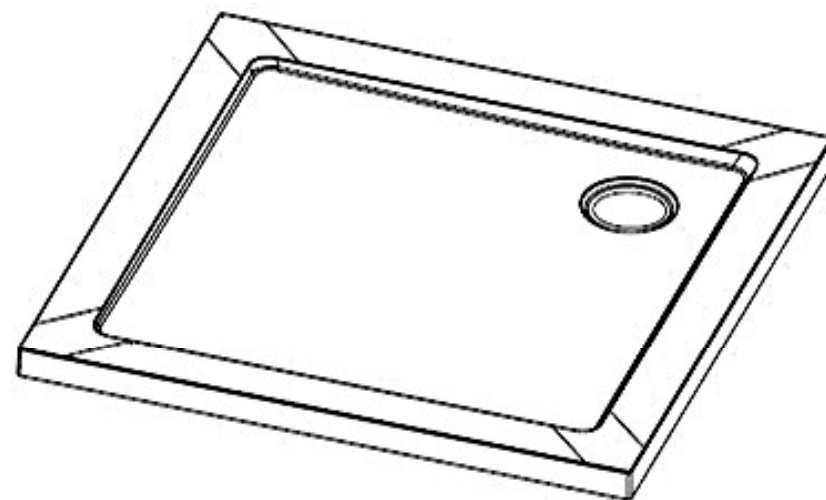


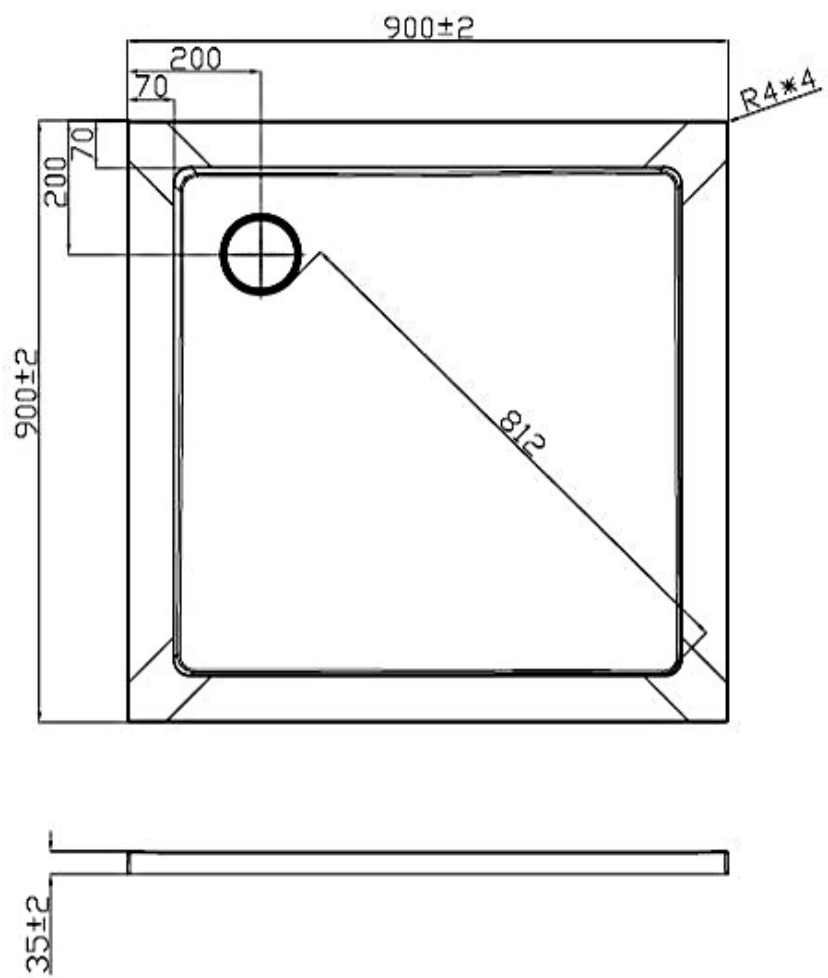
LPDQ476



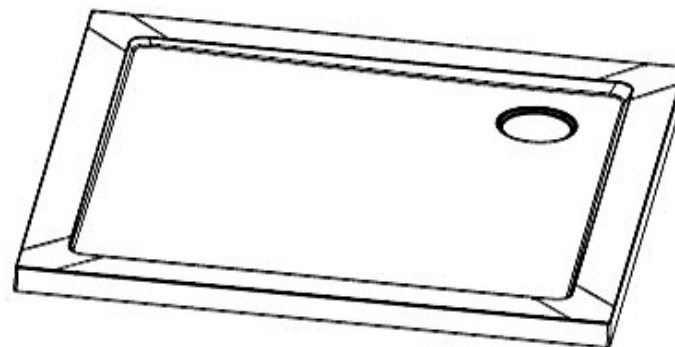


LPDQ480



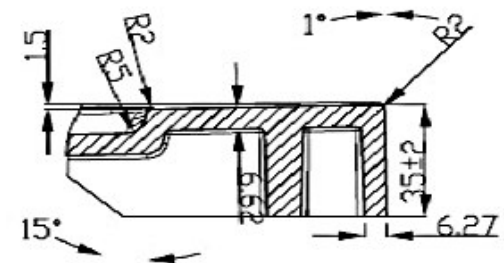
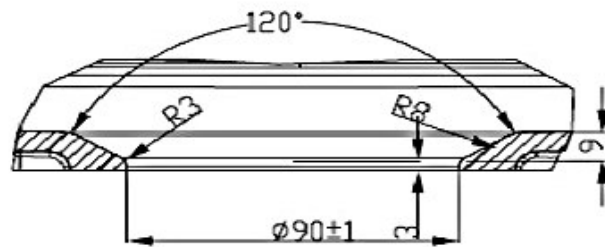
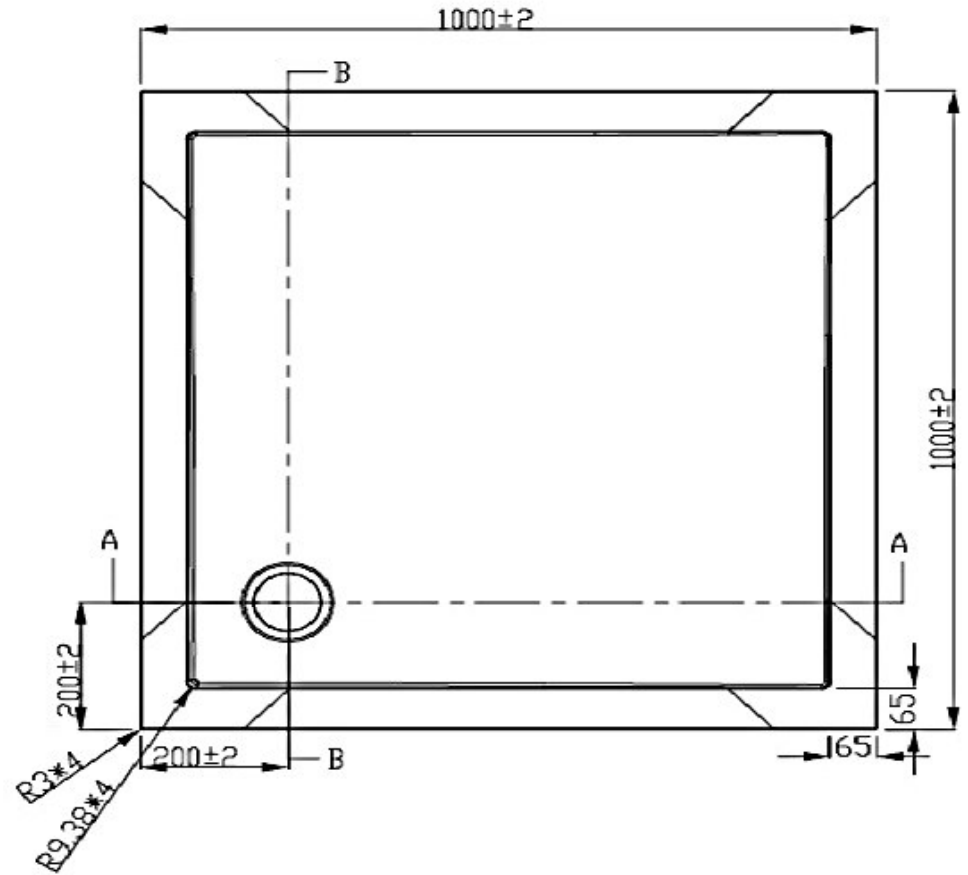
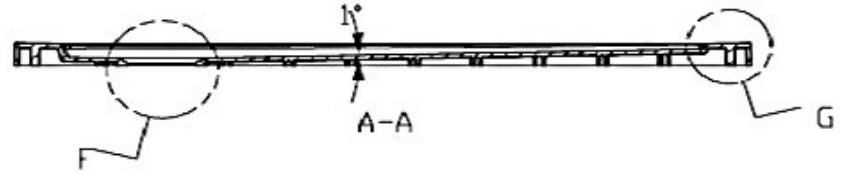


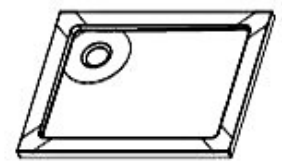
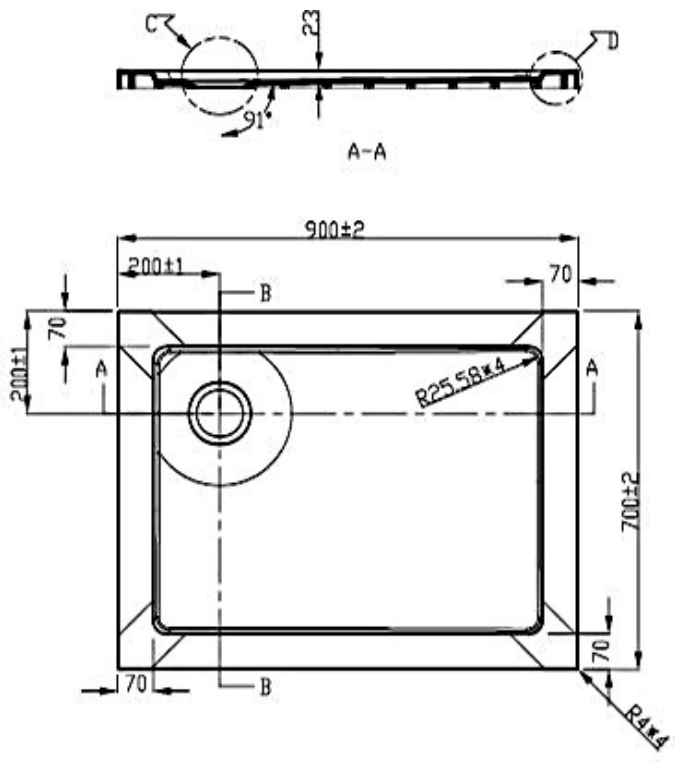
LPDQ490



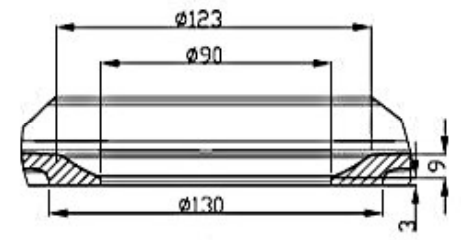
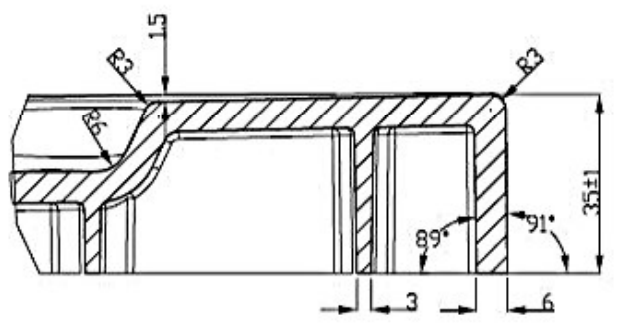


LPDQ4100





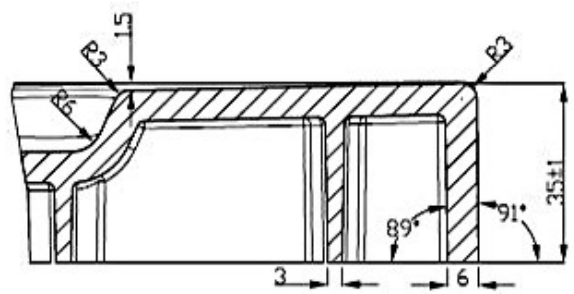
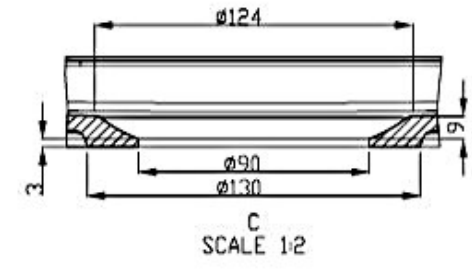
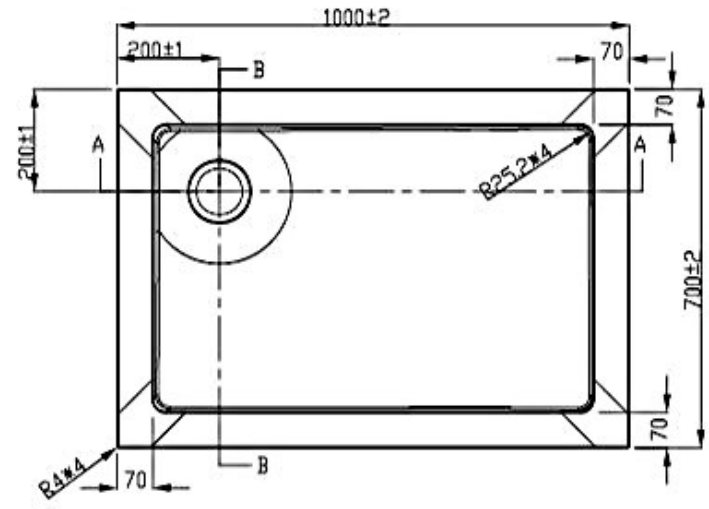
PERSPECTIVE
SCALE 1:20



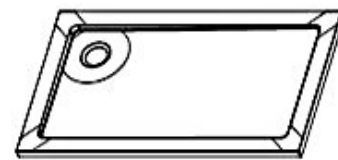
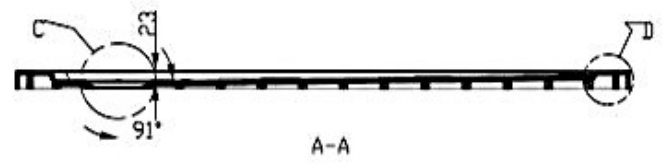
C
SCALE 1:2



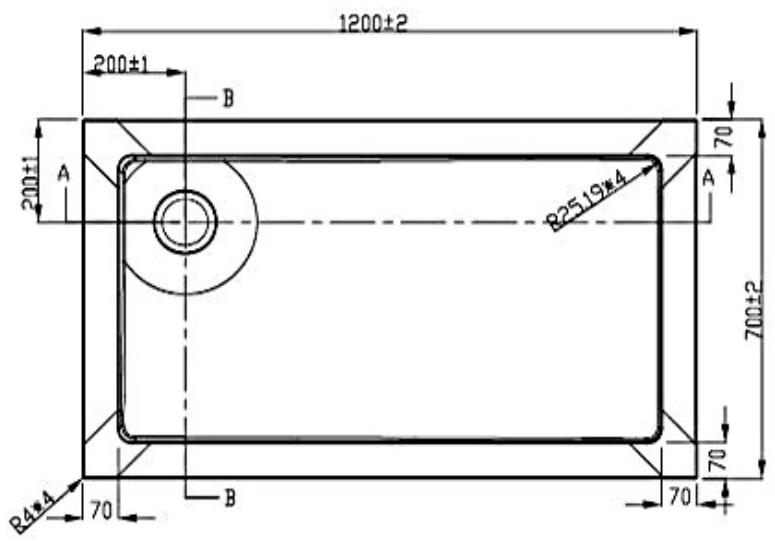
LPDR479



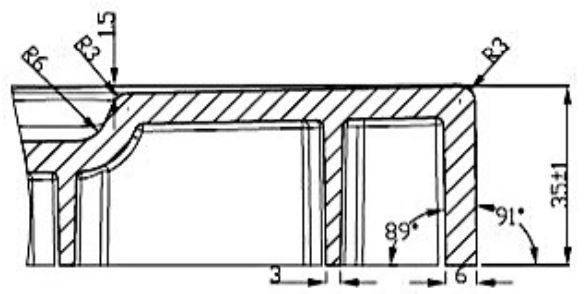
LPDR4710



PERSPECTIVE
SCALE 1:20



B-B

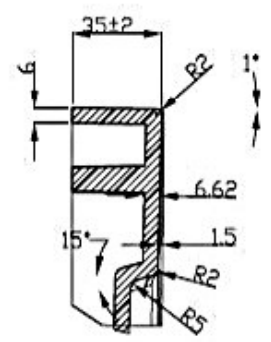
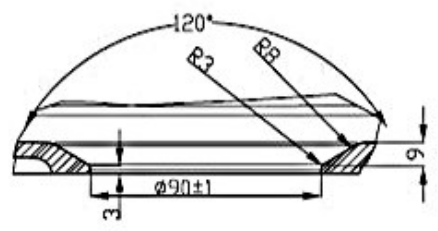
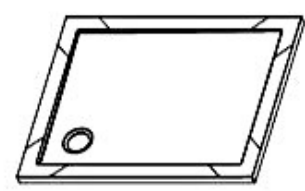
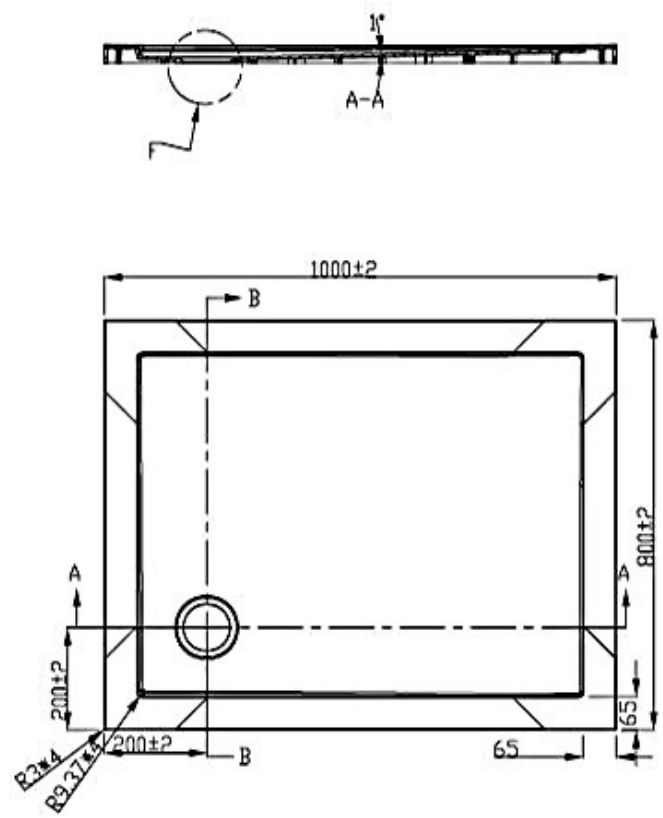


D
SCALE 1:1

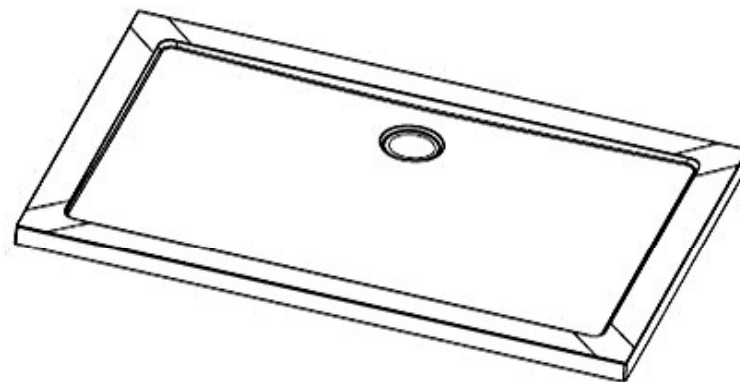
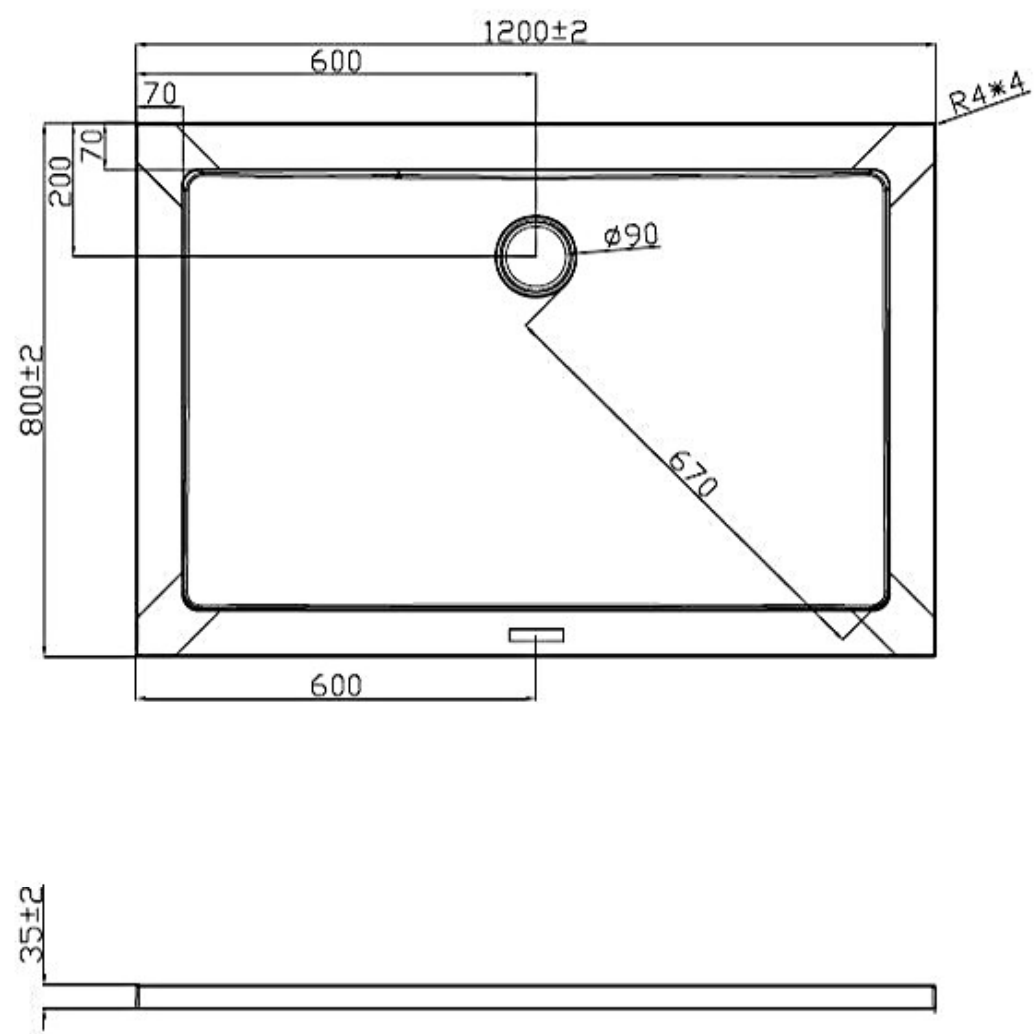


C
SCALE 1:2

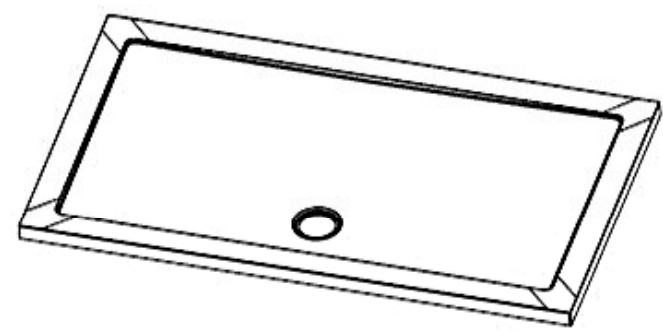
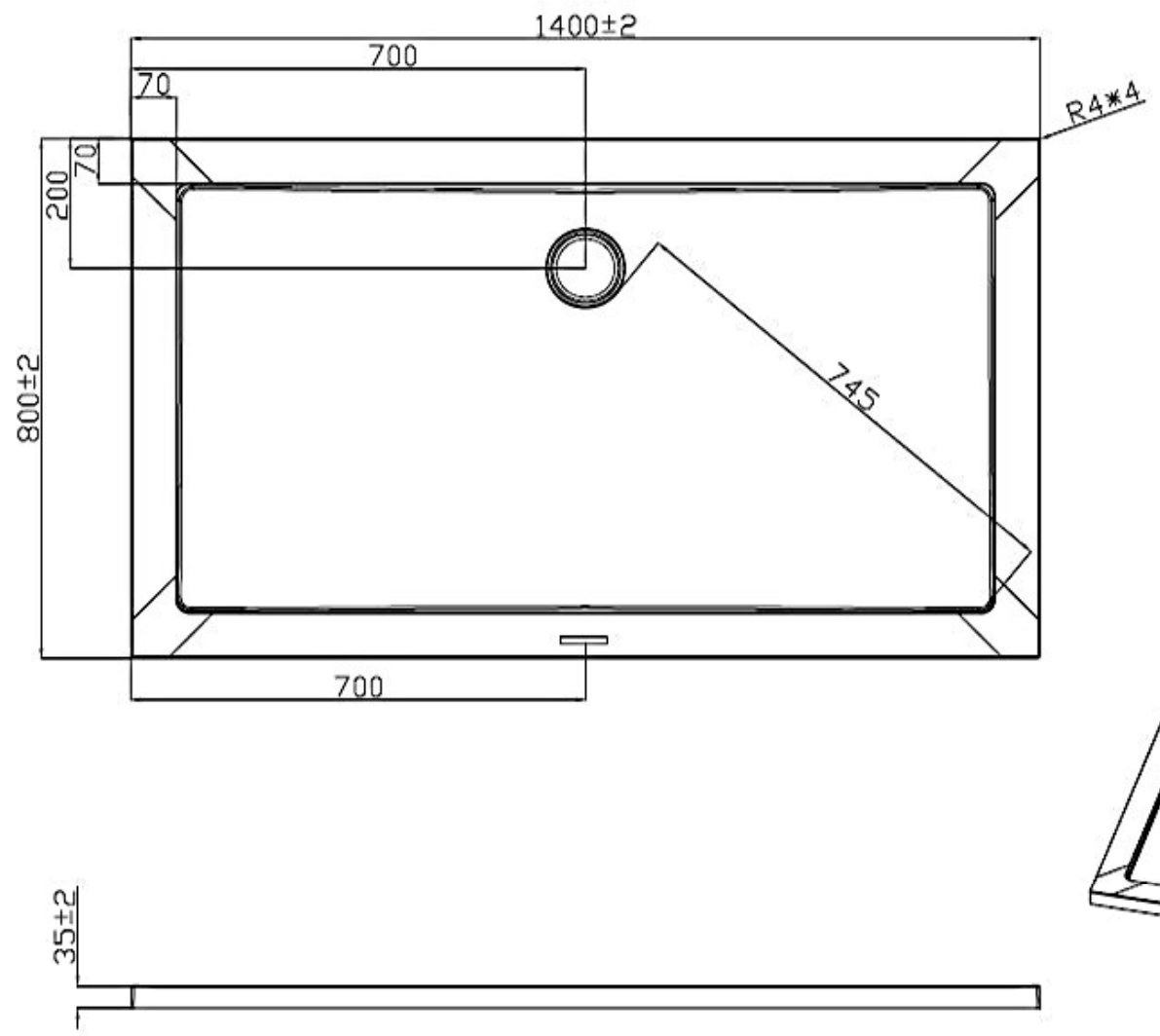
LPDR4720



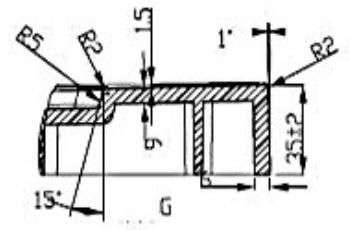
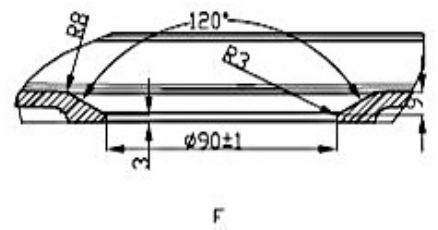
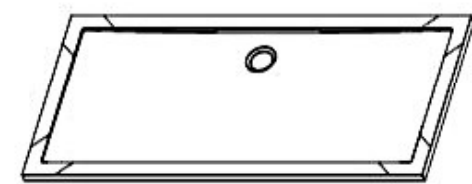
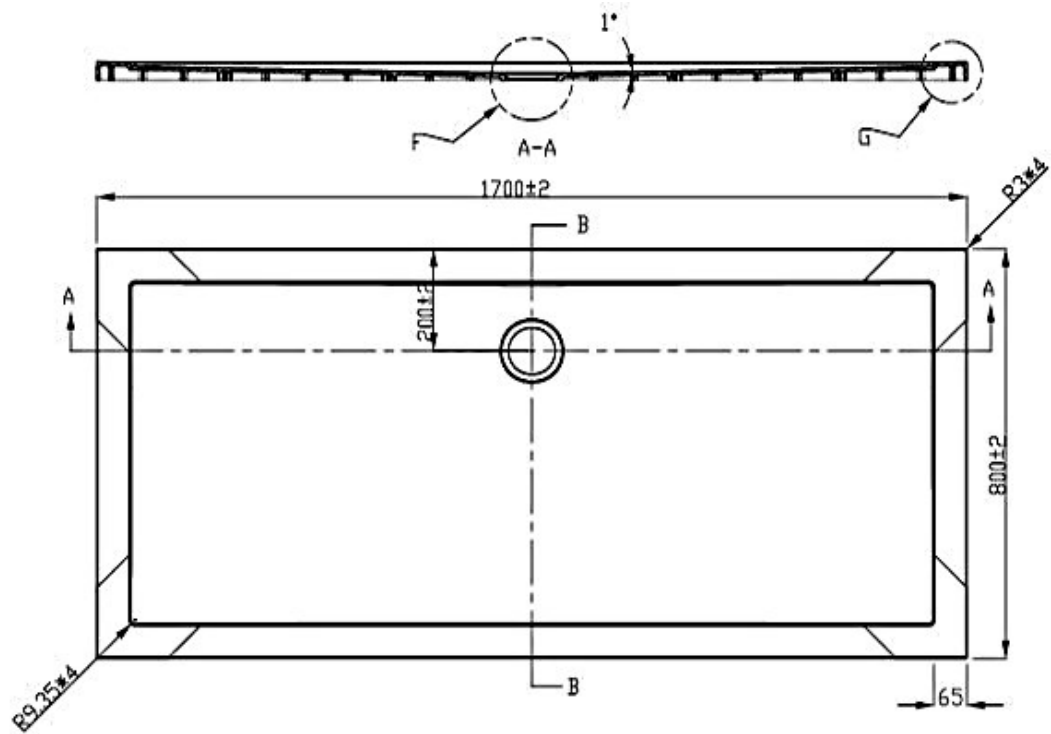
LPDR4810



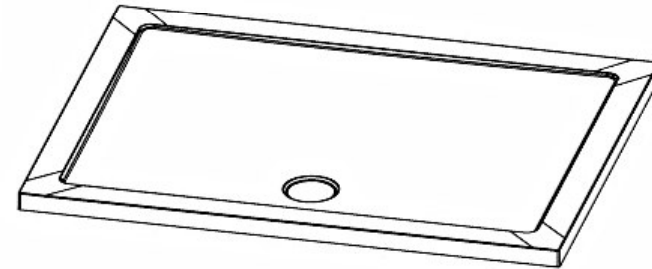
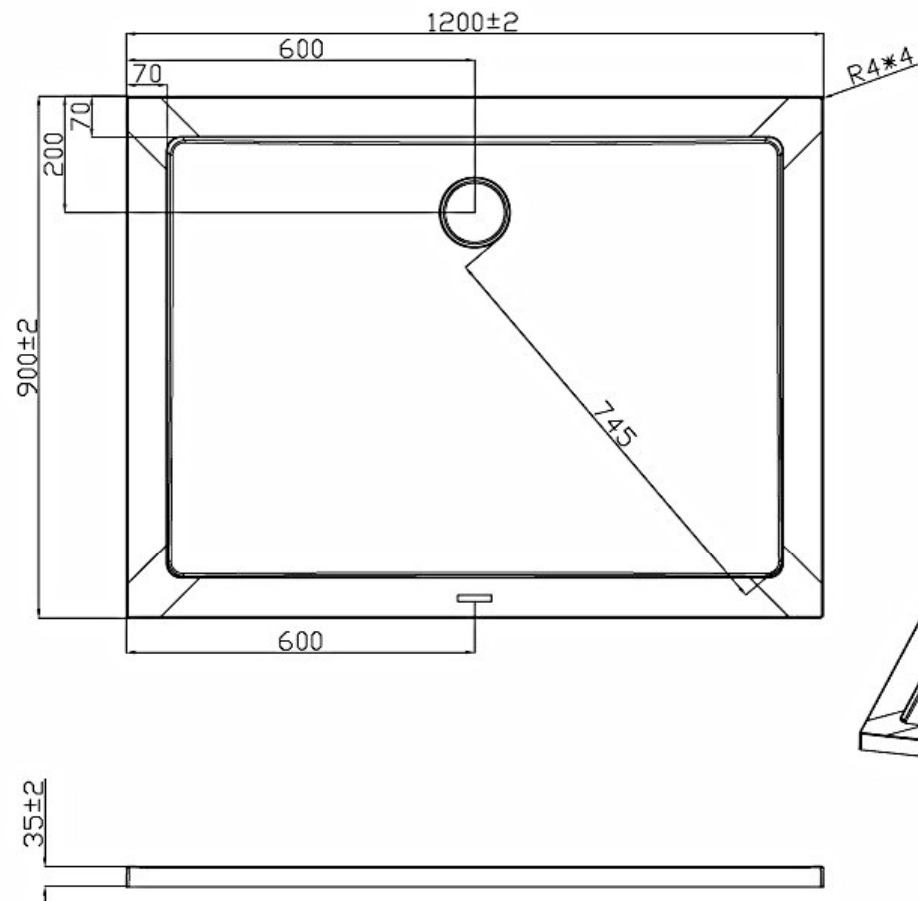
LPDR4820



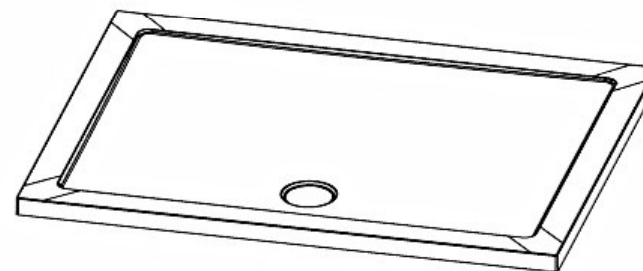
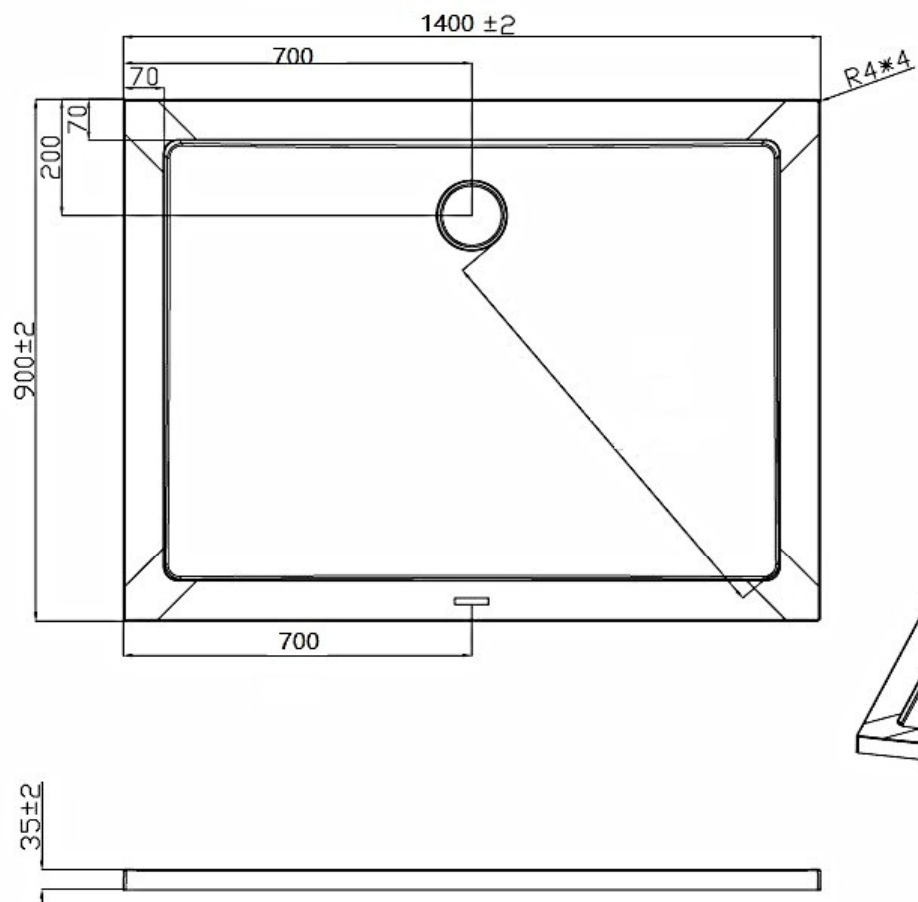
LPDR4840



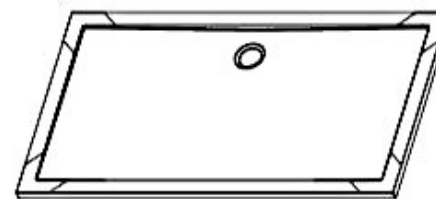
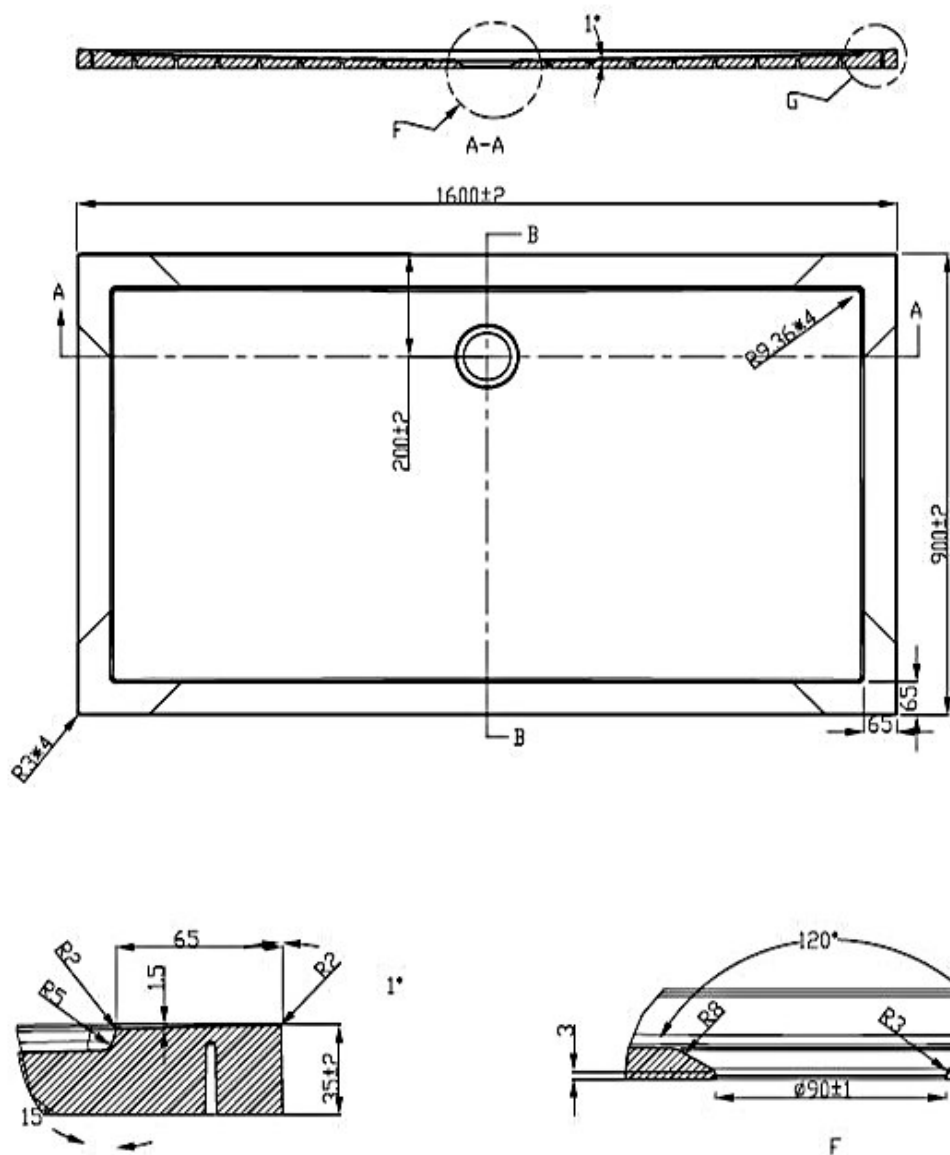
LPDR4870



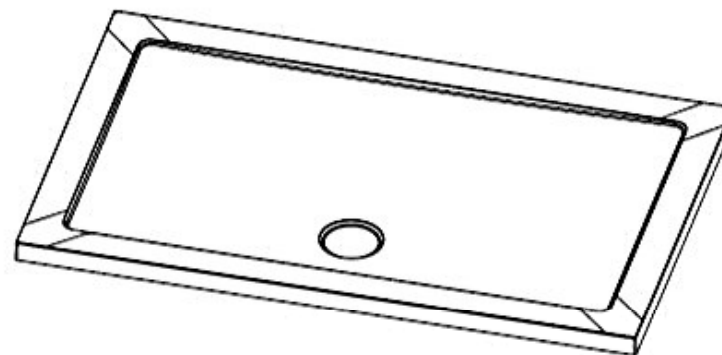
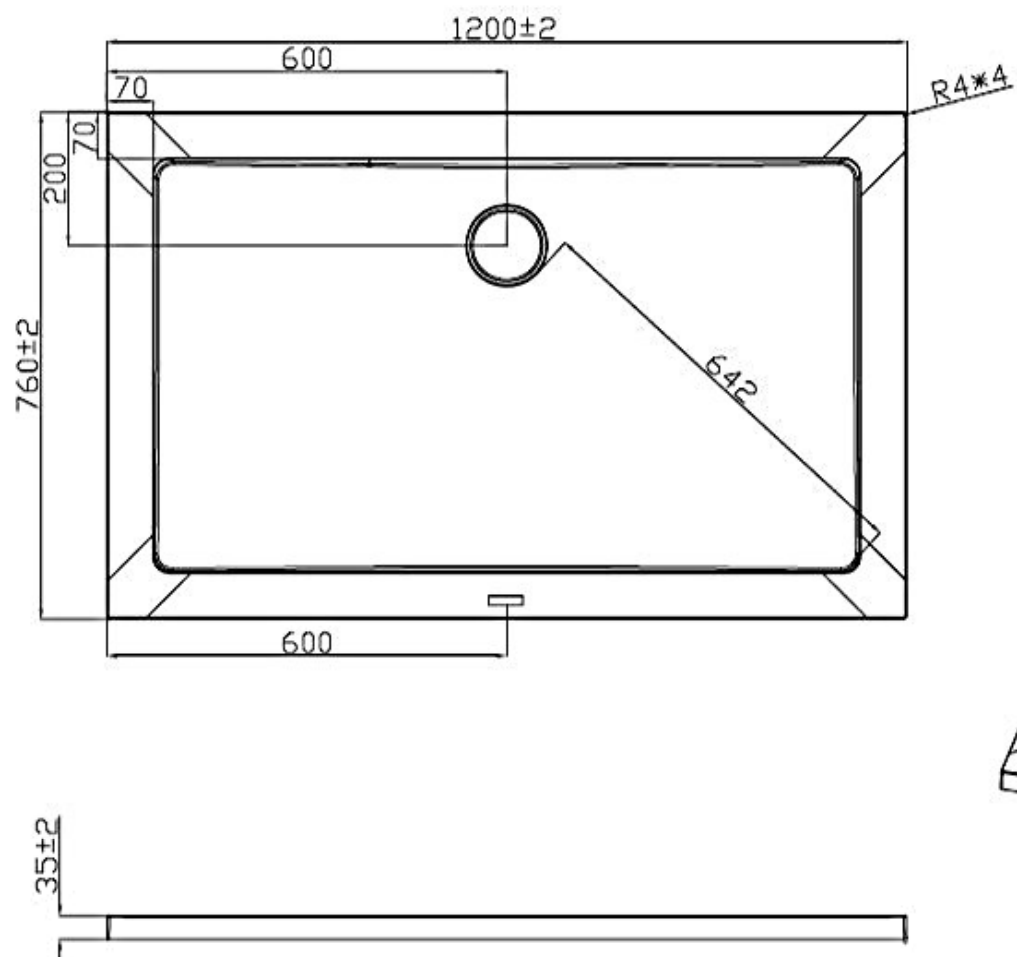
LPDR4920



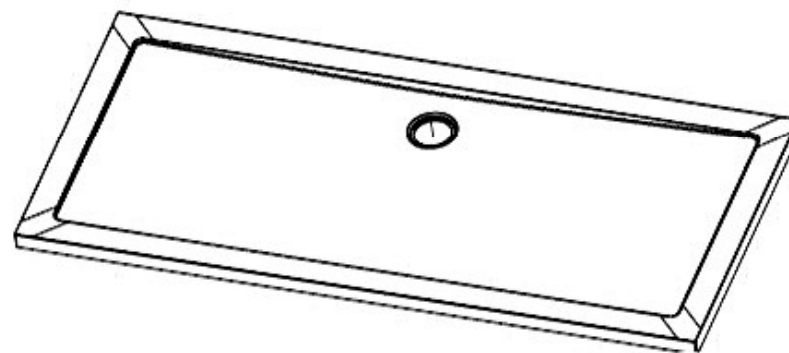
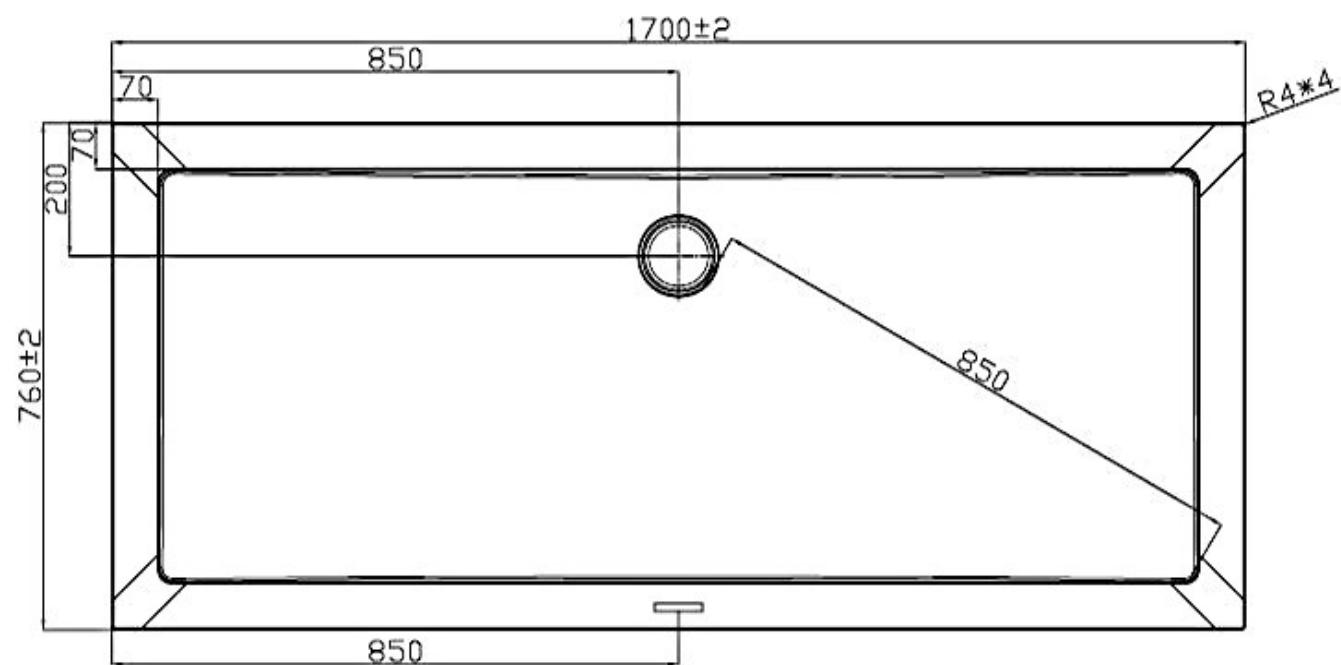
LPDR4940



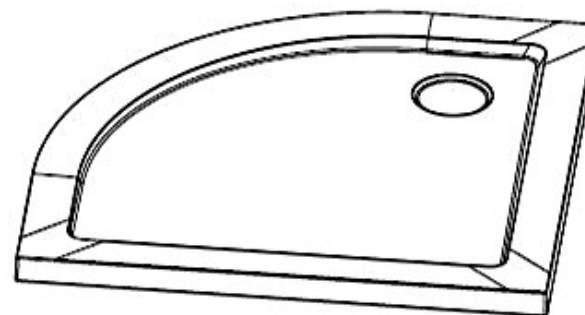
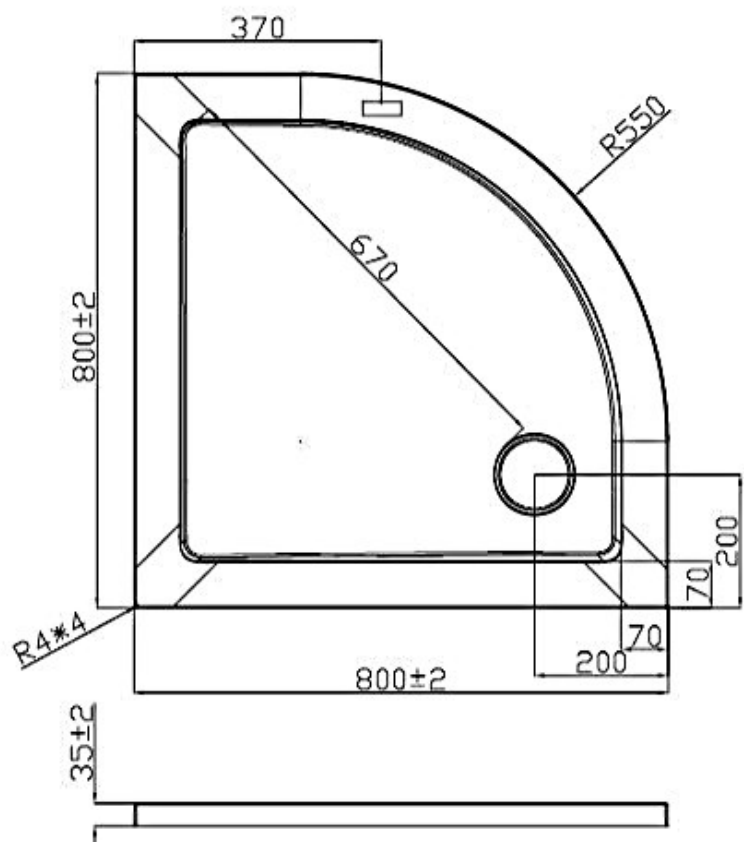
LPDR4960



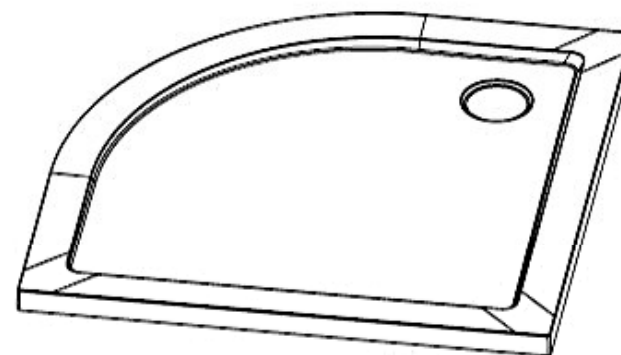
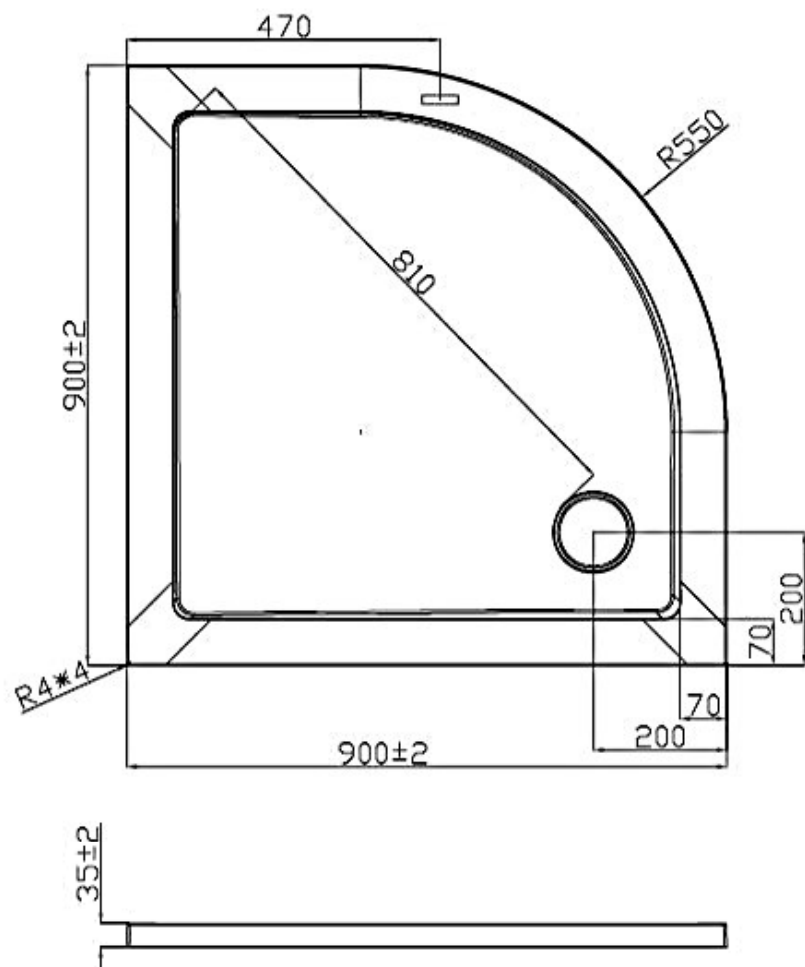
LPDR47620



LPDR47670



LPDS480



LPDS490